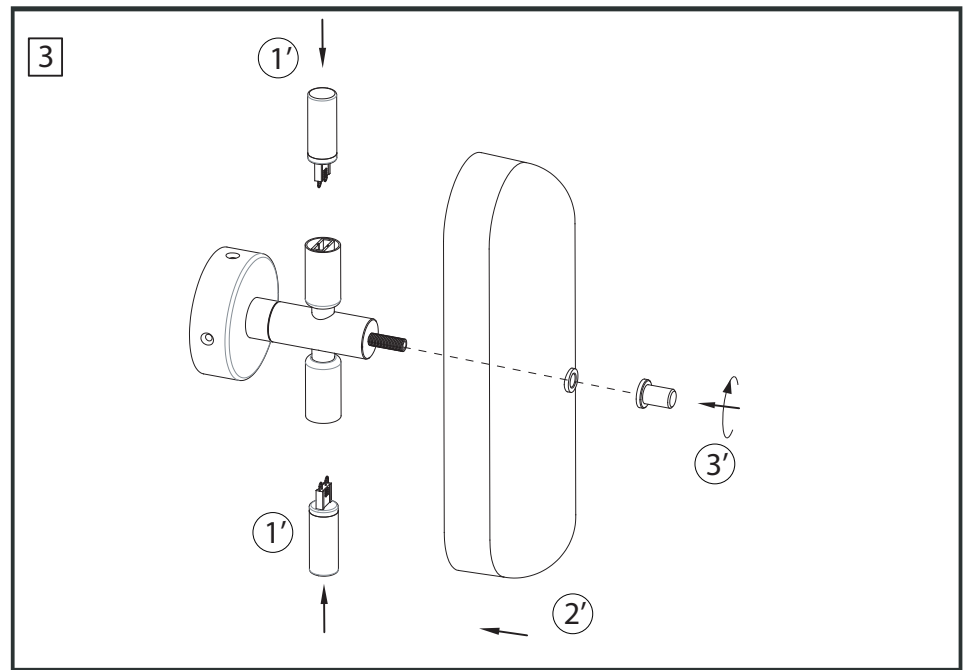
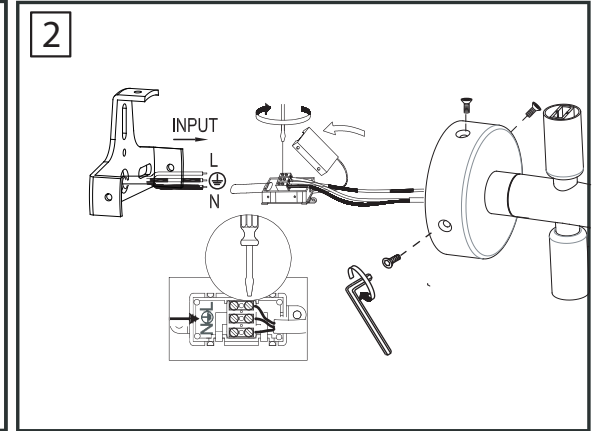
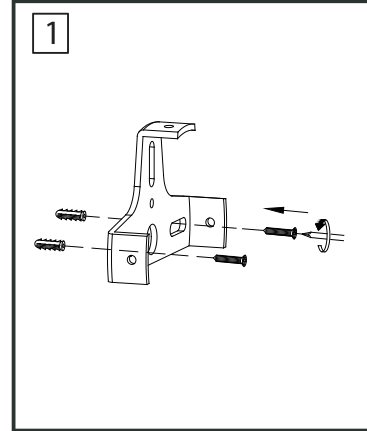
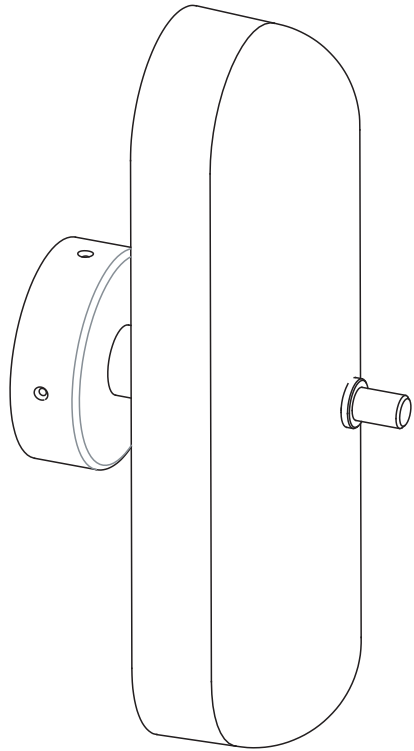


# USER'S INSTRUCTION



Model: A1281  
Bulb: G9 LED 2x5W  
Input voltage: 220-240V~ 50Hz